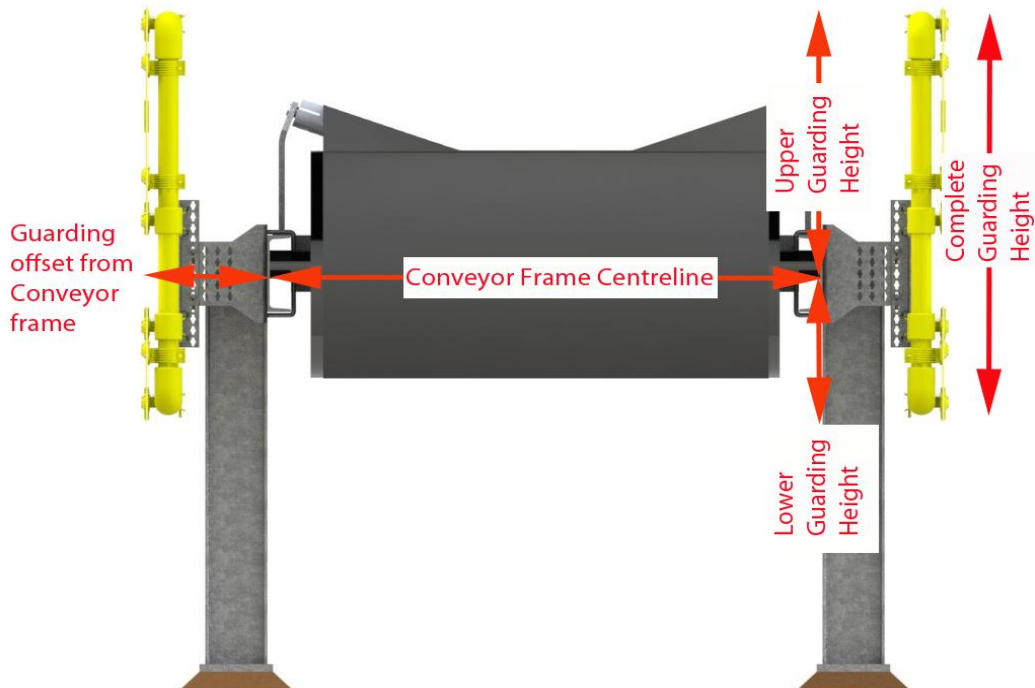


### Conveyor Measure Up Form

| ITEM                              | DETAILS |
|-----------------------------------|---------|
| <b>Date:</b>                      |         |
| <b>Document Number:</b>           |         |
| <b>Client:</b>                    |         |
| <b>Conveyor Identification:</b>   |         |
| <b>Drawing Number:</b>            |         |
| <b>Conveyor Total Length (m):</b> |         |

#### Guarding Requirements:

- Upper  Height (mm): \_\_\_\_\_
- Lower  Height (mm): \_\_\_\_\_
- Both  Height (mm): \_\_\_\_\_



**Conveyor Measure Up Form**

**Tunnel:**

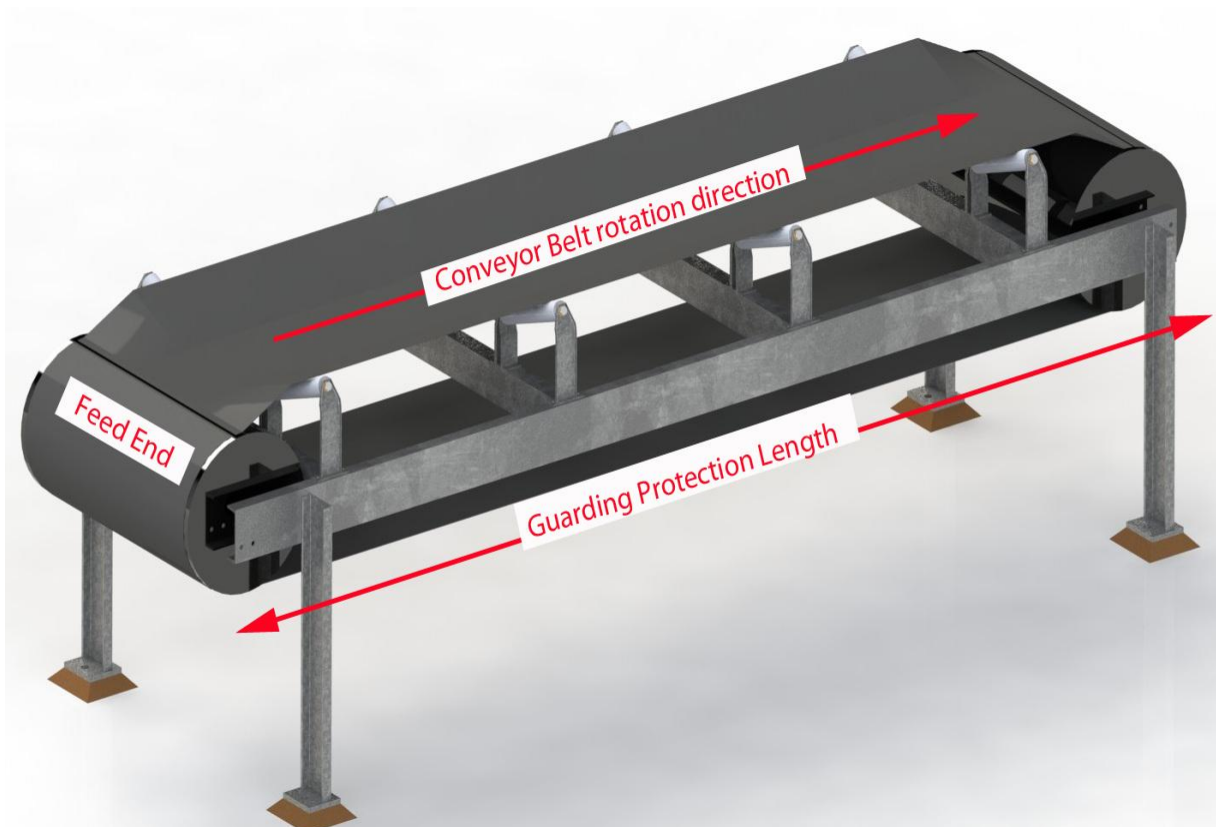
Yes  Total Metres: \_\_\_\_\_

No

**Protection Metre Details** (From Feed End – Facing Conveyor Direction):

Right Hand:  Total Metres: \_\_\_\_\_

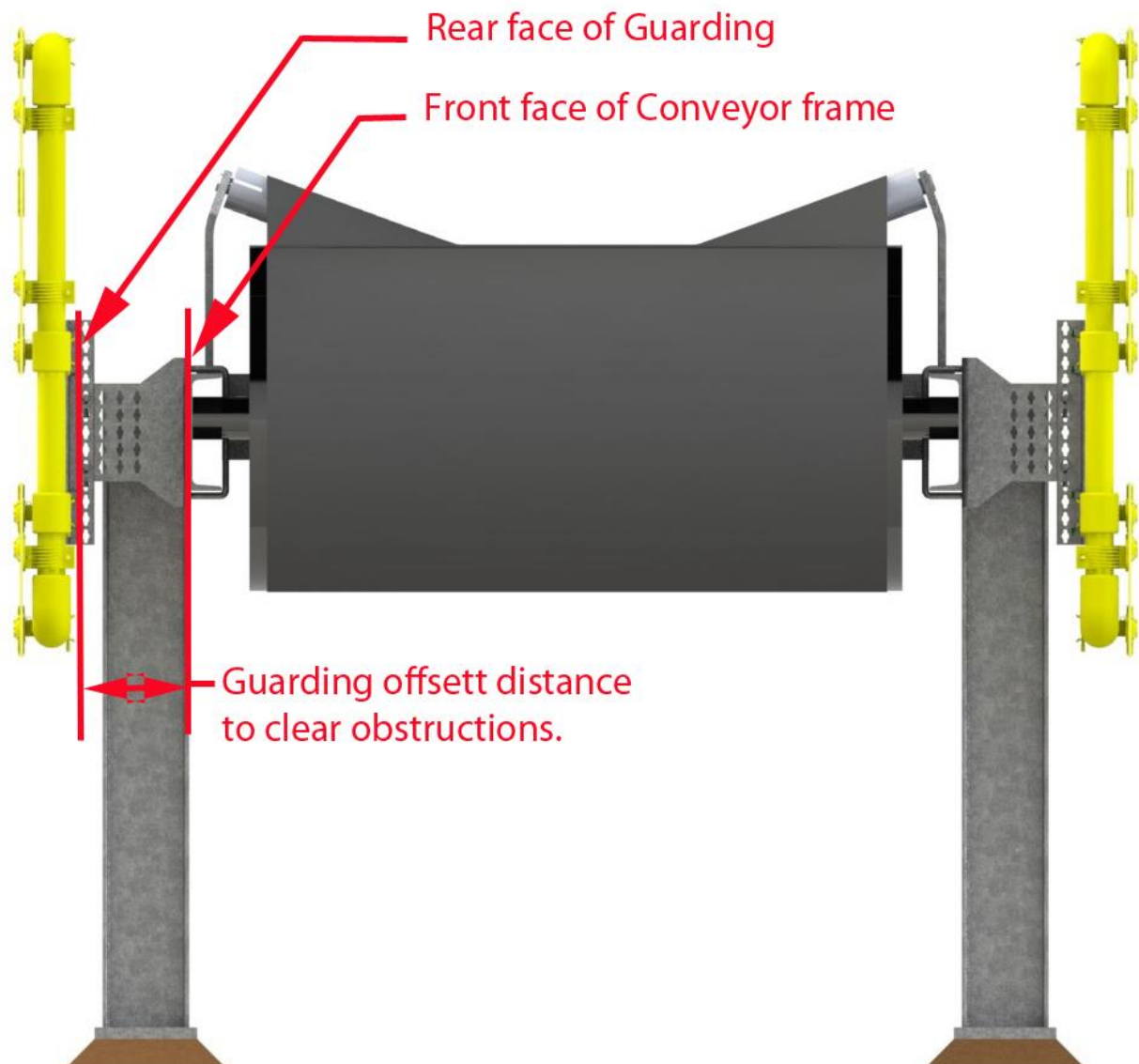
Left Hand:  Total Metres: \_\_\_\_\_



Conveyor Measure Up Form

Guarding Offset Required:

Maximum Offset ( mm): \_\_\_\_\_



**Conveyor Measure Up Form**

**Guarding Mount Options:**

Top Mount:  Total Metres: \_\_\_\_\_

Side Mount:  Total Metres: \_\_\_\_\_

Bottom Mount:  Total Metres: \_\_\_\_\_

Other:  Total Metres: \_\_\_\_\_

**Height Options:**

Variable Upper Height:

Yes

No

Variable Lower Height:

Yes

No

Upper Height: 1. Total Metres: \_\_\_\_\_

2. Total Metres: \_\_\_\_\_

3. Total Metres: \_\_\_\_\_

Lower Height: 1. Total Metres: \_\_\_\_\_

2. Total Metres: \_\_\_\_\_

3. Total Metres: \_\_\_\_\_

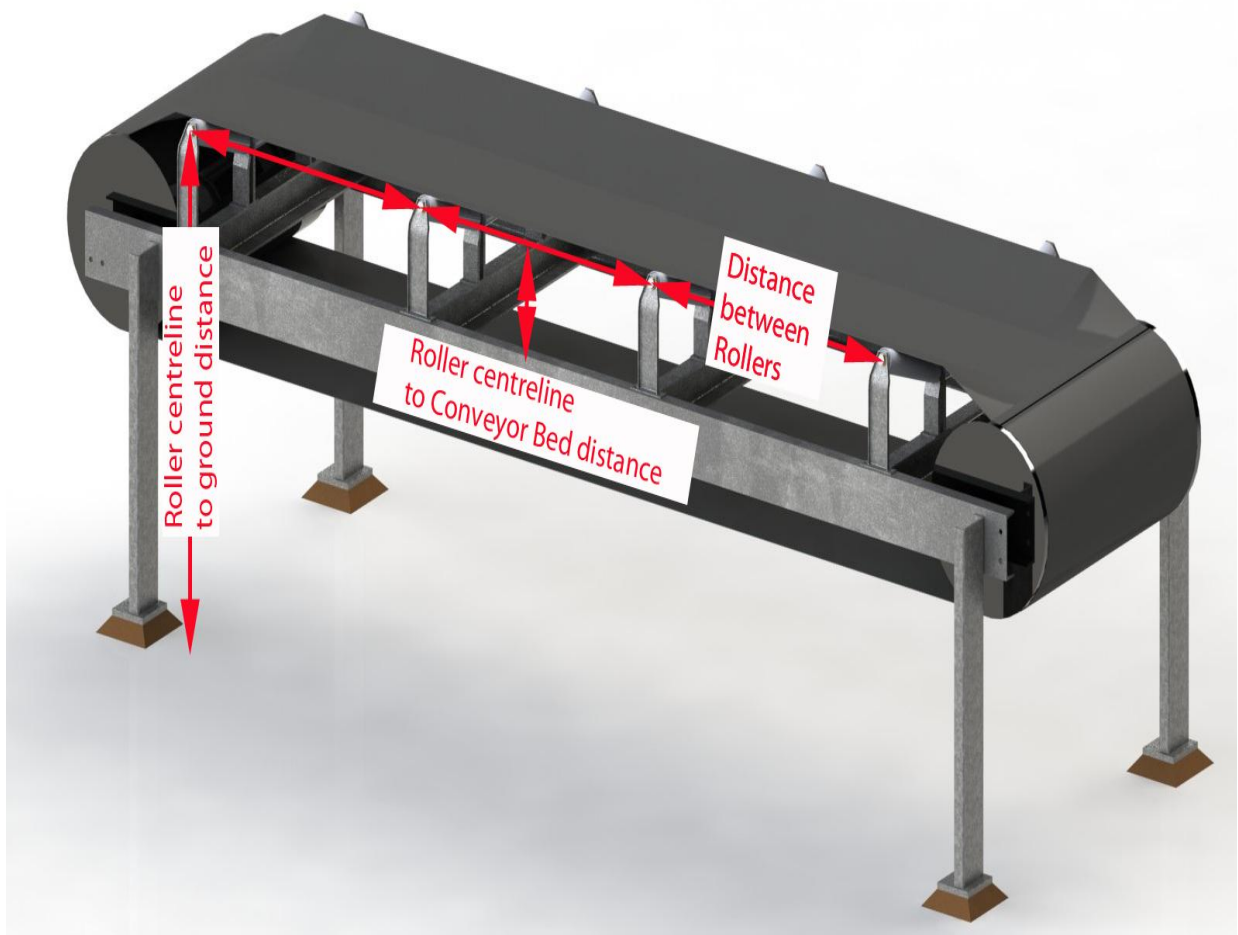
## Conveyor Measure Up Form

### ROLLERS:

Roller Height from Conveyor bed (mm): \_\_\_\_\_

Roller Height from ground (mm): \_\_\_\_\_

Roller centreline distance (mm): \_\_\_\_\_



**Conveyor Measure Up Form**

**CONVEYOR FRAME:**

Frame Cross Section Type:

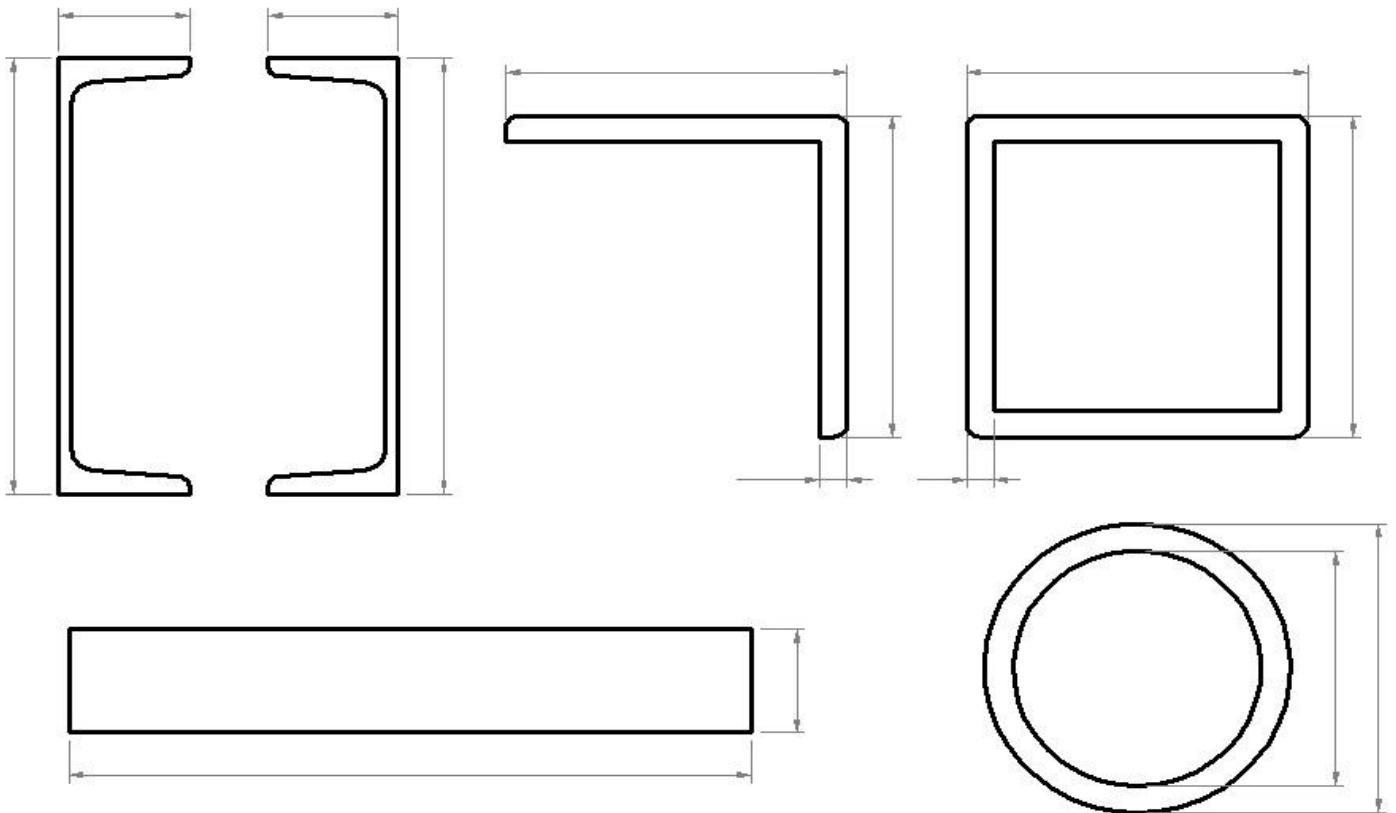
Angle Iron     Channel     I Beam     R.H.S.     Wire Rope/Cable

Other  Details: \_\_\_\_\_

\_\_\_\_\_

\_\_\_\_\_

Mounting frame Dimension:



Conveyor Measure Up Form

Client Clarification requirements:

---

---

---

---

---

---

---

---

---

---

---

---

---

---

---

---

---

---

---

---

---

---

---

---

---

---

---

---

---

---

**Conveyor Measure Up Form**

**Notes/Comments:**

---

---

---

---

---

---

---

---

---

---

---

---

---

---

---

---

---

---

---

---

---

---

---

---

---

---

---

---